



GAI-TRONICS® CORPORATION
A HUBBELL COMPANY

Model F95090E

12 V dc @ 8.3A Rack-Mount Power Supply

Confidentiality Notice

This manual is provided solely as an operational, installation, and maintenance guide and contains sensitive business and technical information which is confidential and proprietary to GAI-Tronics. GAI-Tronics retains all intellectual property and other rights in or to the information contained herein, and such information may only be used in connection with the operation of your GAI-Tronics product or system. This manual may not be disclosed in any form, in whole or in part, directly or indirectly, to any third party.

Application Notes

When used in GAI-Tronics SmartSeries cabinet, this unit can power 40 Monitored Input Modules (MIM) **or** eight Monitored Relay Modules (MRM) **or** 40 Audio Distribution Modules (ADM). If MRMs are used in combination with MIMs or ADMs, the total load requirement **must be calculated** to ensure that the 8.3A output is not exceeded.

- A line cord is attached to the unit for connection to a standard 120 V ac duplex output. **Do not change or alter the line cord.**
- The power supply module inside the chassis is equipped with an internal fuse protection which is not accessible. **Do not attempt to repair or replace the fuse—call GAI-Tronics for service.**

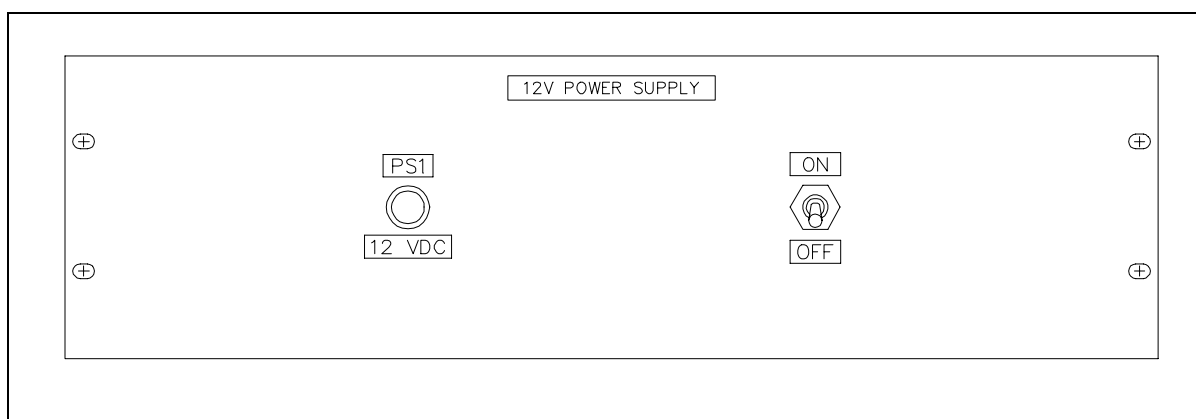


Figure 1. Power Supply—Front View

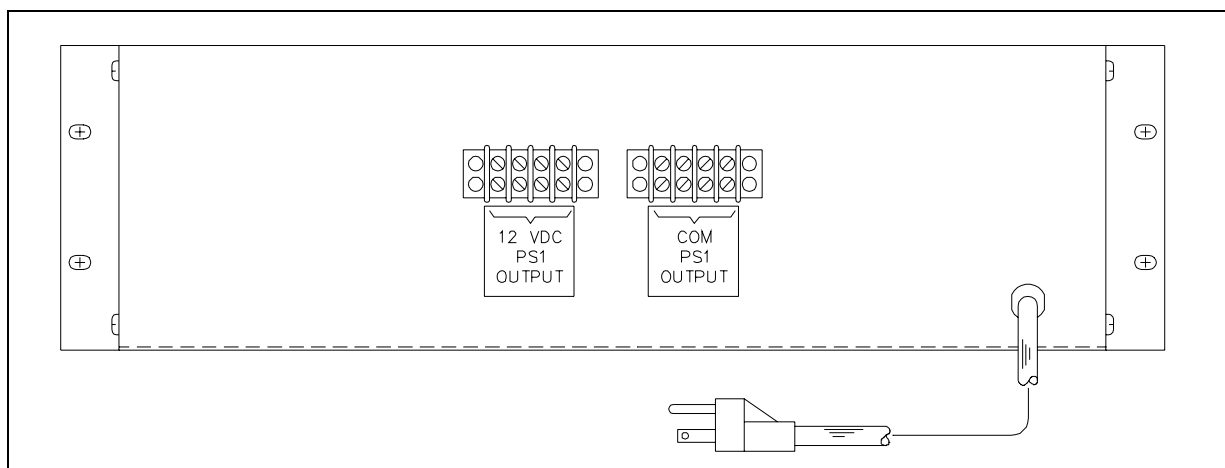


Figure 2. Power Supply—Rear Terminations

Installation



Disconnect ac power during wiring. This device can present a shock hazard. Please use care when handling this device and be sure that the ac power is not connected during wiring.

Wiring

Depth clearance behind the mounting rails should be at least twelve to fourteen inches for wiring.

1. Run power cord to the ac power outlet which will power this unit, but do not connect power until the entire installation is complete.
2. Run the dc power conductors from the devices requiring 12 V dc power, to the output terminals as shown in Figure 2.

Specifications

Input power	Nominal: 120 V ac; Range: 85-264, 50/60 Hz, single phase
Output power.....	12 V dc @ 8.3A maximum
Output type	Switched @ 120 kHz
Efficiency	76% typical @ maximum load
Controls.....	On/off toggle switch on front panel
Indicators	Red LED on front panel (illuminates when operating)
Material/Finish	16 gauge cold rolled steel with gray polyurethane paint finish
Mounting.....	Standard 3U (5.25 inch) 19-inch EIA rack mounting
Connections	Barrier-type terminal blocks
Dimensions.....	5.25 (133) H × 19 (483) W × 6 (152) D; inches (mm)
Temperature range.....	0° C to +49° C (+32° F to +120° F)
Humidity	0% to 85% non-condensing
Weight.....	Approximately 5 lbs (2.26 kg)