



GAI-TRONICS® CORPORATION
A HUBBELL COMPANY

Model 13340 Constant Directivity Horn

General Information

This data sheet applies to the Model 13340 Constant Directivity Horn, which can be mounted using the Model 411A (with Model 13314 driver) or the Model 415A (with Model 13315 explosion-proof driver) Mount Assembly. Figure 1 details the installation of the mounting assemblies, which should be installed before connecting the horn and driver.

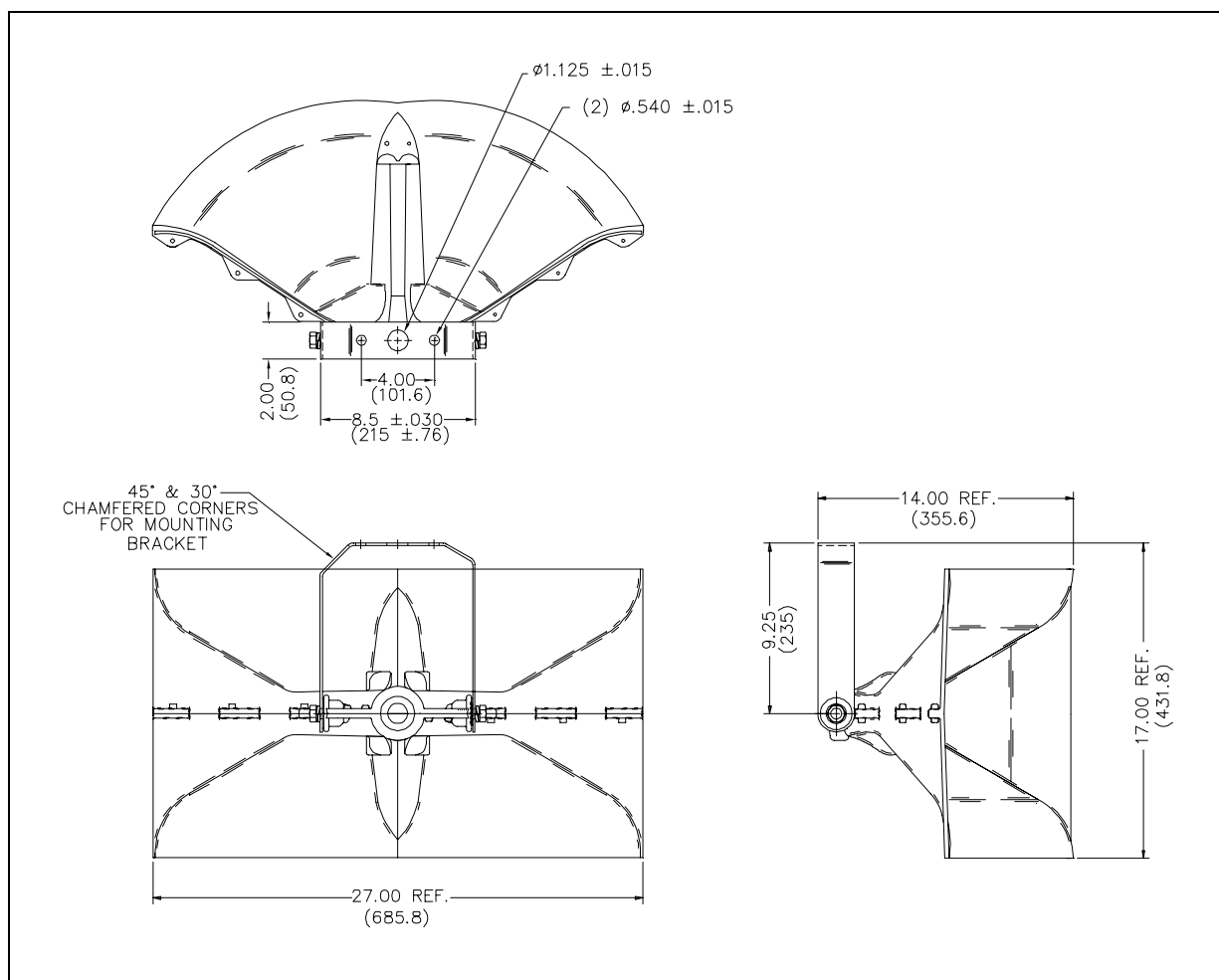


Figure 1. Outline details of Model 13340 Constant Directivity Horn

