



GAI-TRONICS® CORPORATION
A HUBBELL COMPANY

Model 780-301 Page/Party® Handset Station for Cenelec Zone 1 Applications

General Information

This data sheet applies to the GAI-Tronics Model 780-301 Page/Party® Handset Station for Cenelec Zone 1 applications. The assembly is a speaker/amplifier housed in an explosion-proof cast aluminum enclosure equipped with a handset, which designed to be installed in hazardous areas.

The handset station provides clear paging and party line communications even in high noise areas where explosive atmospheres exist or may exist. The Model 780-301 Multi-party Handset Station are BASEEFA approved to CENELEC Standards Ex dib for Zone 1 Group IIC T5.

Specifications

Electrical

Voltage 90 to 140 V ac (120 V ac nominal) 50/60 Hz

Power Consumed Zero/maximum signal (12 watts): 15 VA, 10.5 watts; 53 VA, 34 watts

Speaker Amplifier

Output: 12 watts minimum, with nominal supply voltage

Output limiter: 2.16 V_{peak} (adjustable via configuration)

Voltage gain 26 dB maximum, adjustable

Frequency response 250–4000 Hz, +0 dB, -3 dB ref. to 1 kHz

Distortion 1% maximum THD @ 1 kHz, 12 watts

Input Impedance 50k ohms nominal

Audio input from line 1.5 V_{rms} nominal (depends on distance) from 33 ohm

Handset

Output 1.5 V_{rms} nominal into 33-ohm load

Output limiter 1.5 V_{rms} nominal

Gain 55 dB nominal (below limiter level) adjustable from 40–63 dB

Frequency response 325–7000 Hz, +0 dB, -3 dB ref. to 1 kHz

Distortion 1.5% maximum THD @ 1 kHz

Recommended environment Greater than 50 dB SPL

Mechanical

Dimensions 14.4 H × 14.4 W × 7.83 D inches (367 × 367 × 199 mm) overall

Enclosure material LM25TF, Epoxy

Handset material Gray ABS

Handset microphone Dynamic, noise canceling

Handset receiver Dynamic, hearing aid compatible per FCC part 68

Cable Hytrel®, Retractable, 6-foot (1.8 m) when extended

CradleFixed; built-in off-hook detector
 External controls Press-to-page switch
 Internal controls Tone adjust, sidetone, handset receiver volume, line level, AGC level

Environmental

Temperature range.....-4° F to +151° F (-20° C to +66° C), Operating and storage
 Humidity95% non-condensing

When the handset is removed from the cradle, a magnetic reed switch in the cradle takes the station off-hook. In addition to the handset and cord, a push-to-page button and a label are located on the front cover. On the multi-party stations, a 5-party line selector switch is also included. See Figure 1.

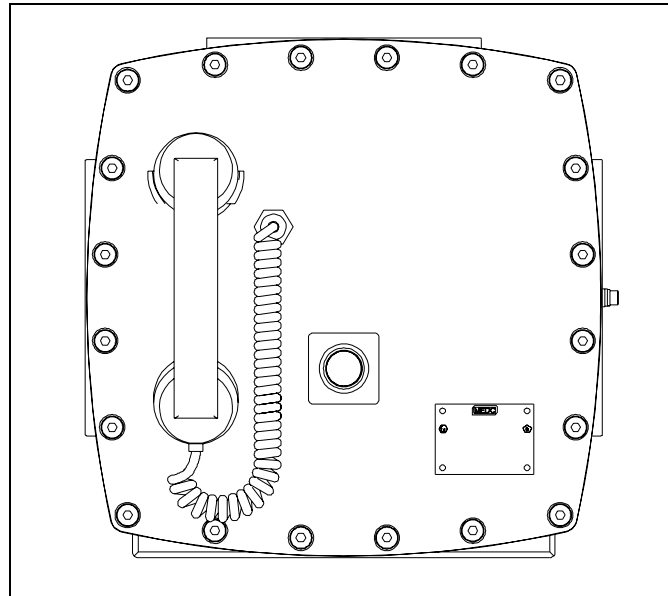


Figure 1. Model 780-301 Page/Party® Handset Station - Front View

The cable gland entries for Model 780-301 are shown in Figure 2. The following entries are on the base: three M25 entries (two fitted with plugs); and one M16 entry.

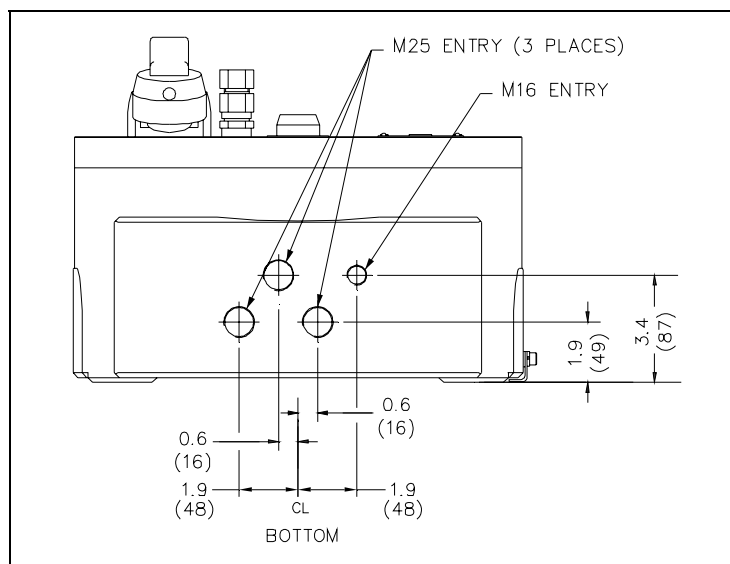


Figure 2. Model 780-301 Cable Gland Entries - Bottom View