



GAI-TRONICS® CORPORATION
A HUBBELL COMPANY

Model 7335-004 Outdoor Non-metallic Emergency Party Line Amplifier Enclosure

General Information

This data sheet applies to the Model 7335-004 Outdoor Non-metallic Emergency Party Line Amplifier Enclosure, which is a multi-party, 115 V amplifier enclosure that mates with a Model 701-80x or 701-90x Series Handset/Spaker Amplifier to form a SmartSeries station.

When connected to a SmartSeries system, this station is equipped to report the following information when the handset is taken off-hook:

- Zone number
- Station address
- Party line (1 or 2)

All station reports are received by the Master Control Unit and annunciated on an access panel located in the SmartSeries control cabinet.

NOTES:

1. The Model 7335-004 Enclosure can also mate with a standard 701 or 751 Series Amplifier; however the reporting feature is not operable with this combination.
2. Emergency party line functionality is only possible if the system's software is properly configured. The system must also have the address of the station intended to mate with the enclosure enabled. If there are questions as to the capabilities of the system, please contact the nearest GAI-Tronics Service Center.

Specifications

Construction/finish:..... Glass-reinforced polyester, J-hook latch, hinged door with gasket
 Mounting:..... Wall, column or pole (mounting kit required for pole mount),
 four 7/16 inch mounting holes
 Connections:.....Internal screw-type barrier terminal blocks
 Dimensions:..... 14.6 H × 10.8 W × 10.5 D inches (371 × 274 × 267 mm)
 Shipping weight:..... 9.6 pounds (4.4 kg)
 Approvals..... NRTL Listed for USA and Canada..... Class I, Div. 2, Groups A, B, C, D;
 Class II, Div. 2, Groups F and G; Class III, Div. 2
 Outdoor environmental rating.....NEMA 3R, NEMA 4X with door closed

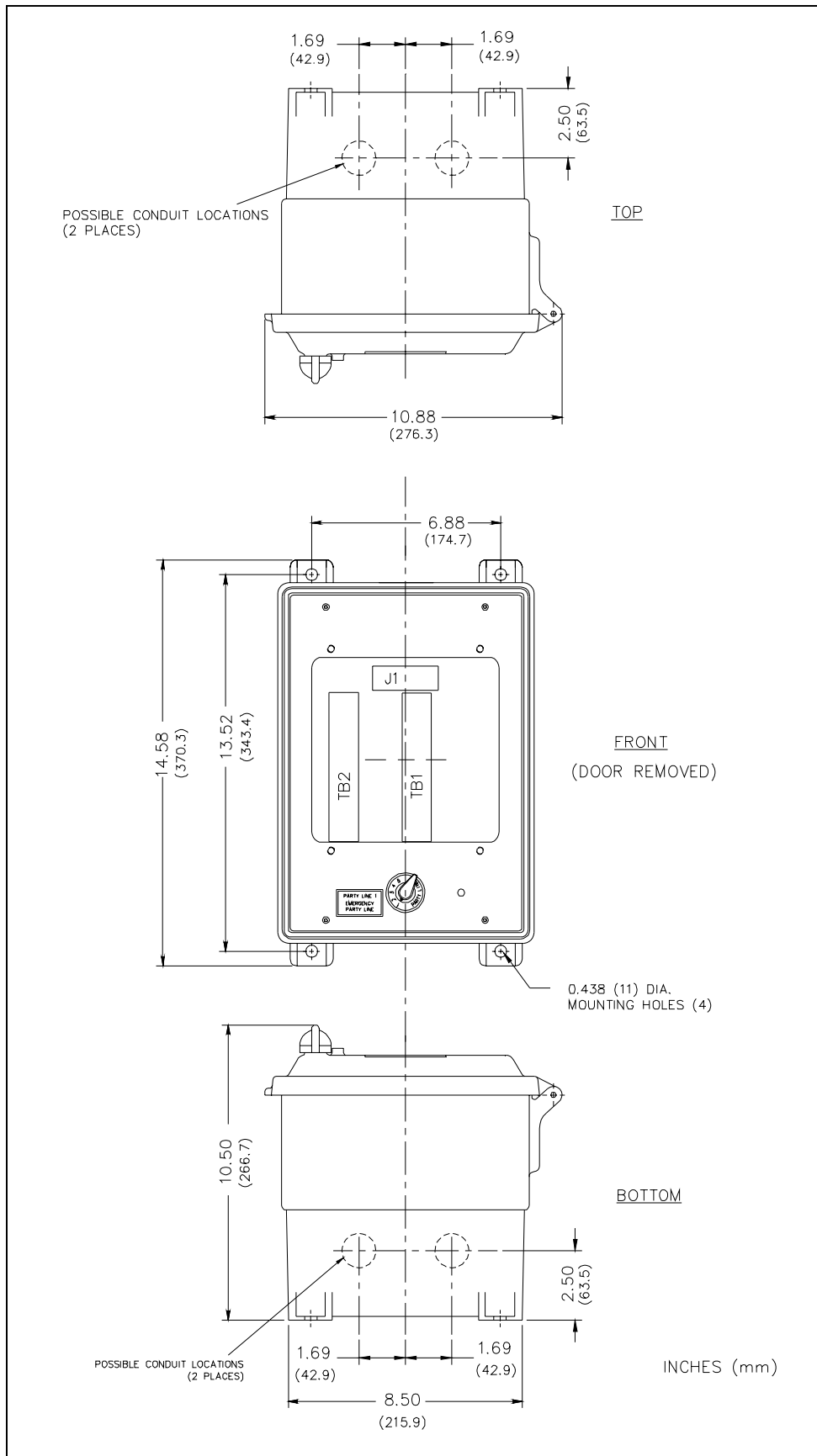


Figure 1. Outdoor Enclosure Mounting