



GAI-TRONICS® CORPORATION
A HUBBELL COMPANY

Model 7325-102

Multi-Party 24 V DC Amplifier Enclosure

General Information

This data sheet applies to the GAI-Tronics Model 7325-102 Weatherproof Multi-Party 24 V dc Amplifier Enclosure.

This enclosure is intended for 24 V dc input within a 700 Series Page/Party® system. It can accommodate conversations on up to five party lines simultaneously. The enclosure is constructed of cast aluminum alloy, making it extremely weatherproof and corrosion-resistant. It is equipped with terminal strips for connecting system cable. The 701 and 751 Series Amplifiers mate directly with this enclosure.

Specifications

Model 7325-102 Weatherproof Aluminum 24 V DC Multi-Party Amplifier Enclosure

Construction/Finish.....	Sand-cast aluminum alloy, cam-style latch, hinged door with gasket; gray baked enamel
Mounting.....	Wall, column, or pole (mounting kit required for pole mount), four 7/16-inch mounting holes
Connections.....	Internal screw-type barrier terminal blocks
External controls.....	Rotary selector switch
Dimensions.....	14.9 H × 10.8 W × 9.6 D inches (378 × 274 × 244 mm)
Shipping weight.....	20.4 lbs. (9.3 kg)
Approvals.....	NRTL Listed for USA and Canada..... Class I, Div. 2, Groups A, B, C, D; Class II, Div. 2, Groups F and G; Class III, Div. 2
CE mark:.....	Complies with Low Voltage Directive 73/23/EEC, and the EMC Directive 89/336/EEC amended by the Directive 93/68/EEC
Outdoor environmental rating.....	Type 3R

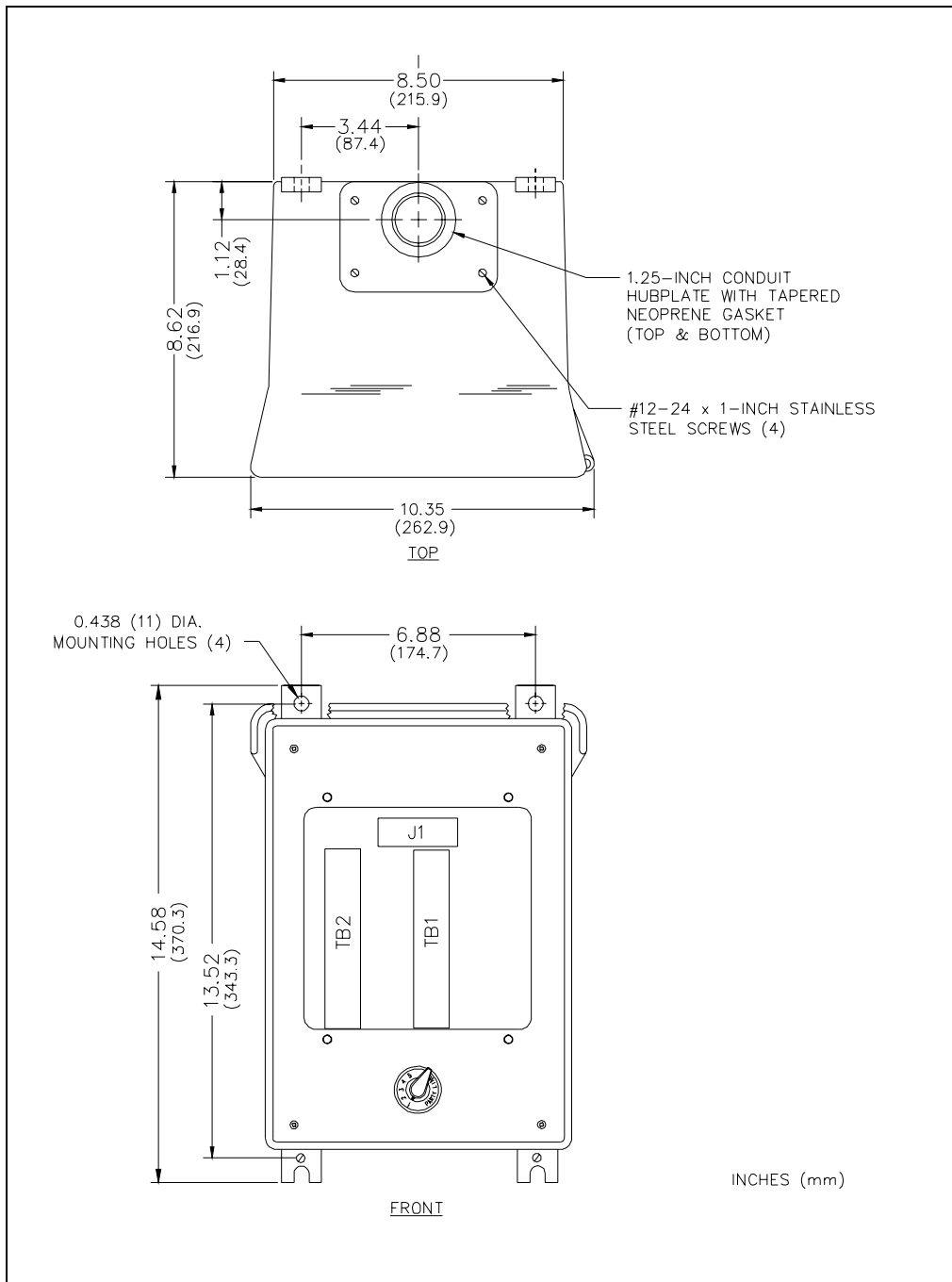


Figure 1. Model 7325-102 Weatherproof Aluminum Multi-Party 24 V dc Aluminum Enclosure