



GAI-TRONICS® CORPORATION
A HUBBELL COMPANY

Model DSA-101

Remote Speaker Amplifier

General Information

This data sheet applies to the Model DSA-101 Remote Speaker Amplifier, which is designed specifically to enable audio received by a DHX Series Intercom Station to be broadcast into high noise areas. It is part of the GAI-Tronics Digital Intercom system which is designed for use in hazardous and non-hazardous area communications, both indoors and outdoors

The speaker amplifier requires a 24 V ac or dc power source to operate. A DHX Intercom Station with an audio line output is required as the audio source. Audio received by the DHX Intercom Station is automatically transmitted to the remote speaker amplifier, except when the intercom station's handset is off-hook. A maximum of six remote speaker amplifiers can be connected to a single Intercom Station.

The Model DSA-101 Remote Speaker Amplifier consists of a rear enclosure and a front panel assembly. The front panel assembly contains power and fault status indicators. Controls for speaker volume and gain are provided on the 69829-00x speaker amplifier PCBA, which is housed in the rear enclosure. All field terminations (audio in/out, power, and speaker) are to be made in the rear enclosure.

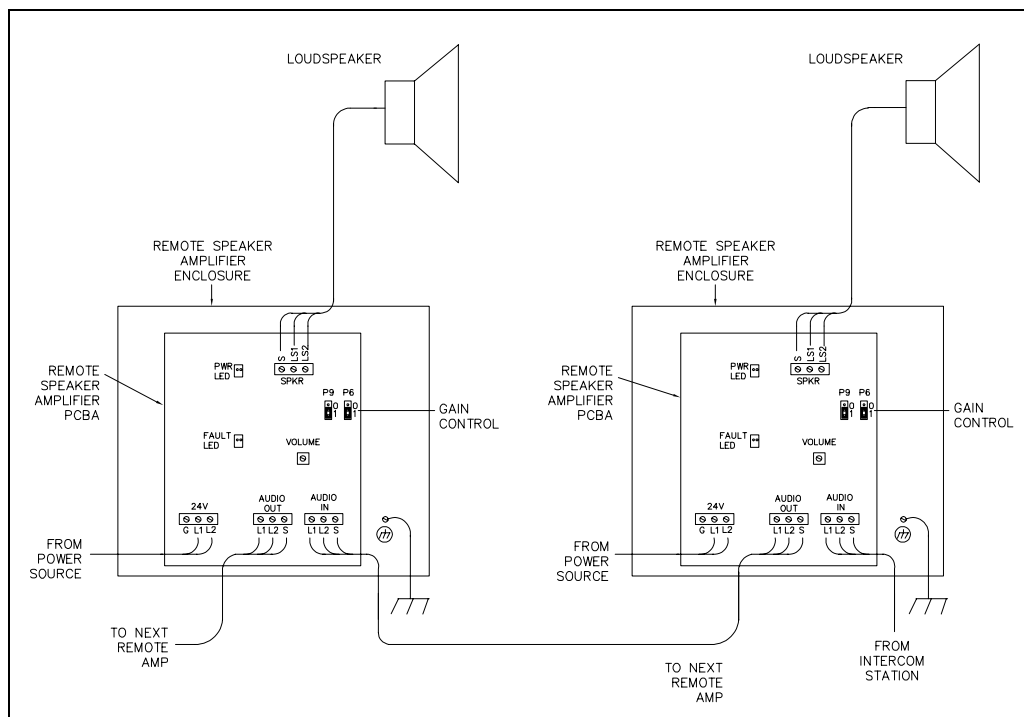


Figure 1. Typical system interconnection diagram

Specifications

Power input (24 V ac)	Voltage	24 V ac, 50/60 Hz
	Power consumed	44 VA, 36 watts (maximum)
Power input (24 V dc)	Voltage	24 V dc
	Power consumed	35 watts (maximum)
Speaker amplifier	Output	Class D, 12 watts minimum into 8 ohms
	Frequency response	200–7,000 Hz, +0/–3 dB ref. @ 1 kHz
	Distortion	2% maximum THD @ 1 kHz, 12 watts
	Hum and noise	–55 dB (20 Hz–20 kHz)
Loudspeaker		8 ohms
Inputs	Audio	0.775 Vrms
Outputs		Audio line to next amp
Indicators		Power, Fault
Controls		Speaker volume, Gain
System cabling	Power	No. 12–18 AWG
	Audio	No. 16–24 AWG
Temperature range		–4° F to + 140° F (–20° C to +60° C)
Dimensions		8.0 (203.2) W × 9.5 (241.3) H × 3.9 (99) D inches (mm)
Shipping weight		7 lbs.

Units must be locally powered.

Approvals

NRTL Listed for USA and Canada.....Class I, Div. 2, Groups A, B, C, and D, T3C
 Class II, Div. 2, Groups F and G
 Class III, Div. 2
 Type 4X

CE Mark

Safety of Information Technology Equipment UL 60950, CAN/CSA-C22.2 No. 60950-00, IEC 60950