



GAI-TRONICS® CORPORATION
A HUBBELL COMPANY

Model 7115-102 Desk-Edge Subset

General Information

This data sheet applies to the Model 7115-102 Multi-Party Desk-Edge Subset, which is intended for use in GAI-Tronics Page/Party® and SmartSeries systems.

The subset enables you to perform page and party line communication when installed with a remote amplifier and enclosure. The rugged remote subsets include a pressbar handset, a handset cradle, and a five-party rotary selector switch.

The subset's compact design allows it to be mounted where space is limited. The compact size is made possible by housing most of the support electronics in a separate remote amplifier.

The angle bracket, supplied with the subset, supports a wide variety of mounting options. The integral connectorized cable permits mounting up to eight feet from the amplifier.

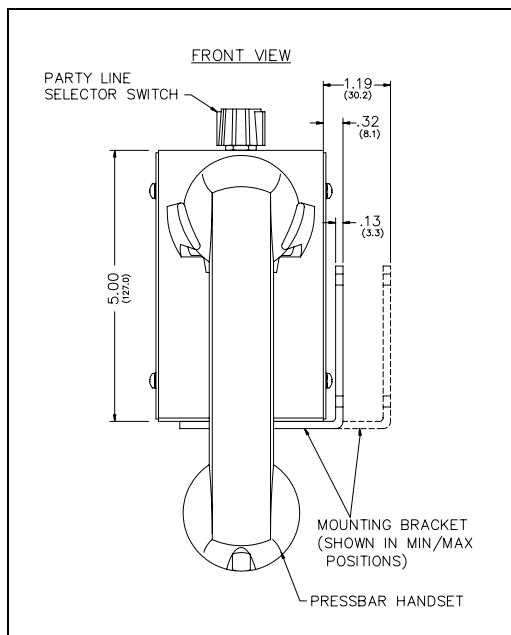


Figure 1. Model 7115-102 Outline Diagram

The Model 711-102 Single Party and Model 7115-102 Multi-Party Desk-Edge Subsets must be installed with a certified remote subset amplifier and a certified Model 7245 Enclosure for proper operation. Mount the subset in an indoor location within eight feet of the enclosure. It is not designed for outdoor use.

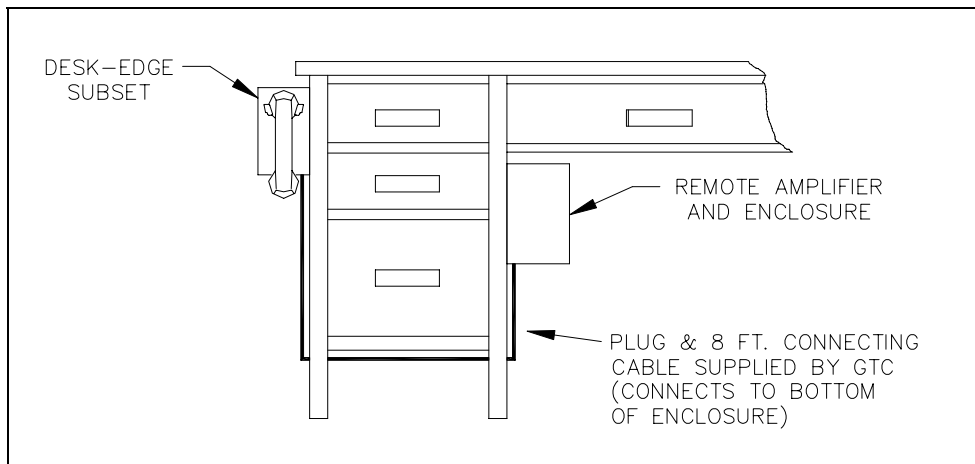




Figure 2. Typical desk-edge installation

The subsets provide the following features/functions, when installed with a certified Model 723 SmartSeries Remote Subset Amplifier and Model 7245 Remote Amplifier Enclosure, in a SmartSeries ADVANCE system:

- Paging
- Party line communication over one party line
- Selective party line communication over one of up to five party lines
- Magnetic hookswitch
- Page duration limit
- Off-hook duration limit
- Normal and alarm mode page destinations
- Normal and alarm mode page priorities
- Normal and alarm mode pre-announcement tones

 **WARNING**  **Explosion hazard - substitution of components may impair suitability for Class 1, Div. 2 usage.**

Specifications

Construction/finish.....	16-gauge cold-rolled steel/gray polyurethane enamel
Handset microphone	Dynamic, noise-canceling, 10 ohms
Receiver	Dynamic, 150 ohms, hearing aid compatible
Cable	PVC retractile, 6-foot extended
Material	Gray ABS
External controls	Handset pressbar for paging, rotary selector switch
Mounting.....	Desk-edge or similar location; Two 13/64-inch mounting holes (in bracket)
Temperature range	-22° F to 158° F (-30° C to +70° C)
Connections	8-foot cable with connector, hard-wired to subset
Dimensions	7.38 H × 3.12 W × 4.00 D inches (187.4 × 79.2 × 101.6 mm)
Shipping weight	3.6 lbs. (1.63 kg) maximum
Approvals	
NRTL certified for use in US and Canada for	Class 1, Div. 2, Groups A, B, C, D when connected to a certified Model 7245 Enclosure using a certified Model 723 Amplifier
CE Mark	