



GAI-TRONICS® CORPORATION
A HUBBELL COMPANY

Model 707-001-UL SmartSeries Hazardous Area Speaker Amplifier Enclosure

General Information

This data sheet applies to the Model 707-001-UL Speaker Amplifier Enclosure, which is a component of the 700 Series Page/Party® system. It is constructed of cast aluminum and is extremely weatherproof and corrosion-resistant. This enclosure is equipped with terminal strips for connecting system cable. The Model 709-901 SmartSeries Amplifier mates directly with this enclosure.

The enclosure has 12 cover mounting bolts located around the perimeter of the enclosure, and a set of aluminum hinges located on the left side.

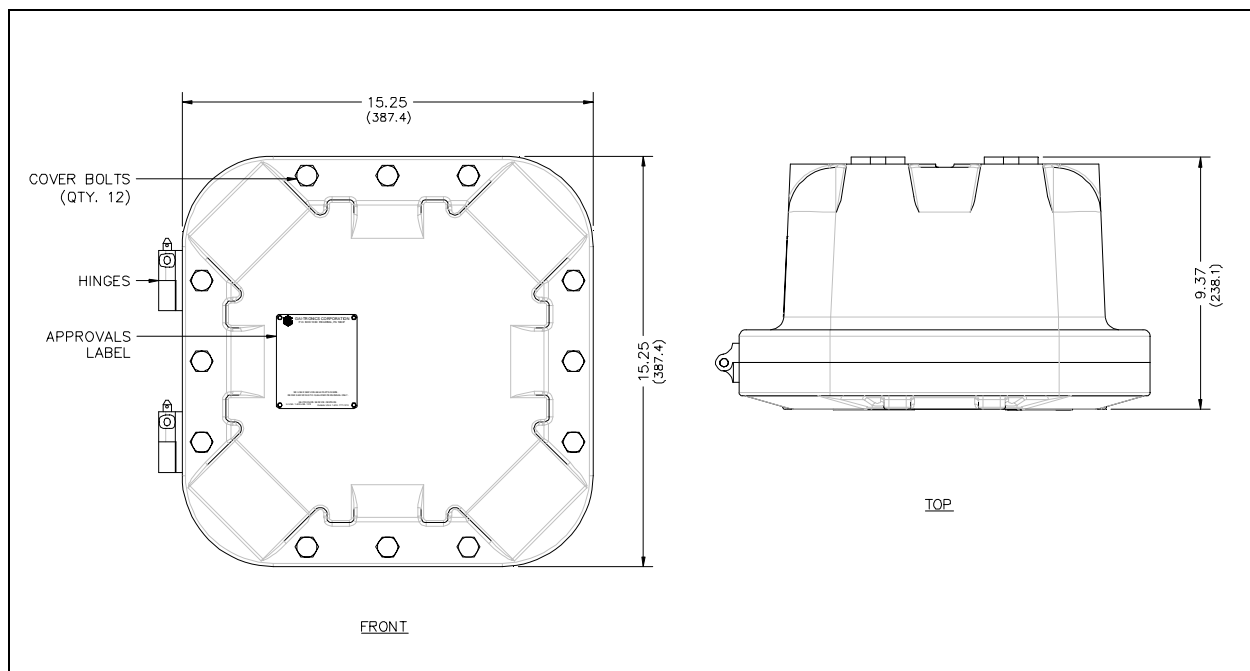


Figure 1. Model 707-001-UL Outline Drawing

The Model 707-001-UL Enclosure conduit entries contain NPT threads.

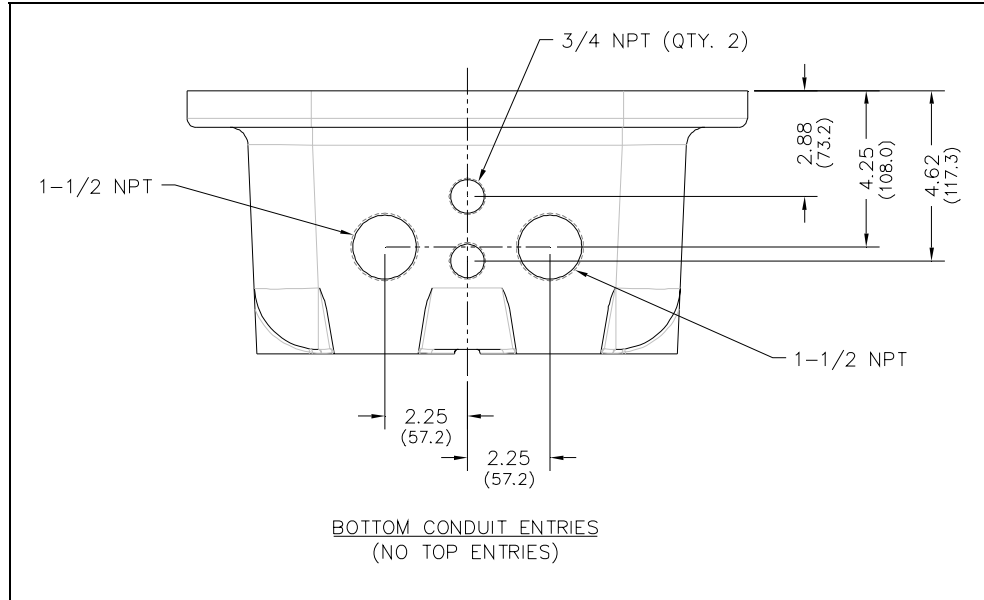


Figure 2. Model 707-001-UL Conduit Entries

Specifications

Construction/finish.....	Cast aluminum/gray polyurethane
Mounting.....	Wall or column, four 1/2-inch mounting feet with slots
Connections.....	Internal screw-type barrier terminal blocks
Dimensions.....	15.25 H × 15.25 W × 9.375 D inches (387.4 × 387.4 × 238.1 mm)
Temperature range (operating and storage).....	(-4° F to +151° F) -20° C to +66° C
Shipping weight.....	75 lbs. (34.02 kg)
Enclosure.....	IP66/Type 4X

Approvals

NRTL listed (USA and Canada).....	Hazardous locations Class I, Div. 1, Groups B, C, D; Class II, Div. 1, Groups F, G; Class III, Div. 1 T6, Type 4X
-----------------------------------	--