



GAI-TRONICS® CORPORATION  
A HUBBELL COMPANY

# Model 530-001 LED Strobe with Constant-On Feature

---

## Confidentiality Notice

This manual is provided solely as an operational, installation, and maintenance guide and contains sensitive business and technical information that is confidential and proprietary to GAI-Tronics. GAI-Tronics retains all intellectual property and other rights in or to the information contained herein, and such information may only be used in connection with the operation of your GAI-Tronics product or system. This manual may not be disclosed in any form, in whole or in part, directly or indirectly, to any third party.

## General Information

The Model 530-001 LED Strobe features an LED tower for constant-on and flashing operation with secondary contacts for auxiliary equipment. The glow of the LED tower remains constant for area location and flashes on and off, 240 flashes per minute, when activated by an emergency telephone.

The LED strobe is designed for top-of-pole mounting, wall mounting, or surface mounting.

The unit is equipped with a ¾-inch NPT female pipe thread in the base; a pipe nipple or conduit with a corresponding thread should be used for mounting the units. For wall or surface mounting, the GAI-Tronics Model 4115A Mounting Assembly Kit is recommended.

**⚠ WARNING ⚠** Research indicates that a small portion of the general population, (approximately 1 in 100,000) with Photosensitive Epilepsy (PSE) may experience epileptiform seizures upon exposure to certain visual stimuli including lights flashing in excess of 3Hz (180cpm). Individuals with positive photic response to visual stimuli who are prone to seizures, such as persons with epilepsy, should avoid prolonged exposure to environments in which flashing lights are activated.

## Installation

**⚠ CAUTION ⚠**

**These installation instructions are for use by qualified service personnel only.**

- All field wiring to the beacon must meet the requirements of the National Electric Code (NEC) and any other applicable local or state codes.
- Before beginning any installation or modification, be sure the main electrical disconnect switch is in the OFF position. TAG THE DISCONNECT SWITCH WITH A SUITABLE WARNING LABEL.
- Electrical ground is required on this appliance.
- Improper connection of the equipment can result in electrical shock.

## Wiring

The Model 530-001 LED Strobe is equipped with seven 15-foot conductor leads. Refer to Figure 1. The red (120 V ac line) and white (120 V ac neutral) leads are connected to the 120 V ac power source. The green lead is the earth ground wire.

The violet (+) and orange (-) leads are connected to the emergency telephone to signal the strobe to flash. The blue and black leads are provided to activate auxiliary equipment.

1. Connect the red (line) lead to the local power source.
2. Connect the white (neutral) lead to the local power source.
3. Connect the green lead to a ground connection.
4. Open the front cover of the emergency telephone to expose the printed circuit board assembly (PCBA) and locate the terminal block labeled TB-2 (OUT1).
5. Bring the violet (+) and orange (-) leads through the entry hole used for the telephone line.
6. Connect the violet (+) lead to terminal **1** and the orange (-) lead to terminal **2** on TB2.
7. Replace the front cover on the emergency telephone and test the unit by pressing the EMERGENCY button. The strobe is only activated by pressing the EMERGENCY button, not the CALL button (if so equipped).

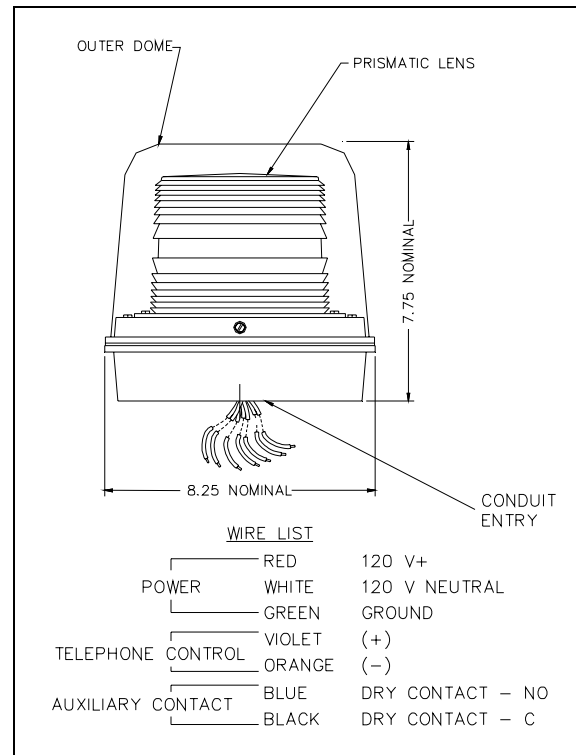


Figure 1. Model 530-001 LED Strobe Outline

**NOTE:** The LED strobe provides a blue and black wire to activate auxiliary equipment such as signaling devices or camera call-up controls. These wires provide a dry contact closure rated for 2 amps @ 240 V ac, or 2 amps @ 30 V dc, for the duration of the emergency telephone/strobe activation.

# Specifications

Operating voltage..... \*Regulated 120 V ac @ 60 Hz

Nominal current ..... 0.44 amperes

**NOTE:** The rated 0.44A current at 120 V ac 60 Hz is average during operation of the steady lights or strobing LED. A short duration inrush current as high as 45 amps may be experienced when power is first applied to the strobe. Current limiting and/or current protection devices should be specified accordingly.

Rated LED life ..... Up to 100,000 hours

Flash rate ..... 240 flashes per minute

Auxiliary contact maximum rating ..... 2 amps @ 240 V ac  
2 amps @ 30 V dc

Operating (environment) temperature range..... -40° C to +66° C (-40° F to +150° F)

Environmental.....NEMA-3R (when mounted with dome upright)

Terminations (ac, control, auxiliary contact) ..... 15-foot, No. 18 AWG wire

Construction: Base: .....Die-cast aluminum (light gray, baked enamel finish)  
Dome: .....Polycarbonate (blue)

Dimensions ..... 7.75 H x 8.25 W inches (196.85 x 209.55 mm)

Shipping weight ..... 7.5 lbs.

Mounting..... 3/4-14 NPT female

Approvals.....UL/ cUL

## LED Coil Data

Nominal voltage..... 24 V dc

Nominal current ..... 14 mA

## Accessories

Part No.	Description
4115A	Mounting Assembly Kit
24851-018	LED Replacement Assembly

**WARRANTY NOTE:** LED replacement is not covered under warranty.

\*Tested voltage range is 96–132 V ac.

# Warranty

---

Equipment. GAI-Tronics warrants for a period of one (1) year from the date of shipment, that any GAI-Tronics equipment supplied hereunder shall be free of defects in material and workmanship, shall comply with the then-current product specifications and product literature, and if applicable, shall be fit for the purpose specified in the agreed-upon quotation or proposal document. If (a) Seller's goods prove to be defective in workmanship and/or material under normal and proper usage, or unfit for the purpose specified and agreed upon, and (b) Buyer's claim is made within the warranty period set forth above, Buyer may return such goods to GAI-Tronics' nearest depot repair facility, freight prepaid, at which time they will be repaired or replaced, at Seller's option, without charge to Buyer. Repair or replacement shall be Buyer's sole and exclusive remedy. The warranty period on any repaired or replacement equipment shall be the greater of the ninety (90) day repair warranty or one (1) year from the date the original equipment was shipped. In no event shall GAI-Tronics warranty obligations with respect to equipment exceed 100% of the total cost of the equipment supplied hereunder. Buyer may also be entitled to the manufacturer's warranty on any third-party goods supplied by GAI-Tronics hereunder. The applicability of any such third-party warranty will be determined by GAI-Tronics.

Services. Any services GAI-Tronics provides hereunder, whether directly or through subcontractors, shall be performed in accordance with the standard of care with which such services are normally provided in the industry. If the services fail to meet the applicable industry standard, GAI-Tronics will re-perform such services at no cost to buyer to correct said deficiency to Company's satisfaction provided any and all issues are identified prior to the demobilization of the Contractor's personnel from the work site. Re-performance of services shall be Buyer's sole and exclusive remedy, and in no event shall GAI-Tronics warranty obligations with respect to services exceed 100% of the total cost of the services provided hereunder.

Warranty Periods. Every claim by Buyer alleging a defect in the goods and/or services provided hereunder shall be deemed waived unless such claim is made in writing within the applicable warranty periods as set forth above. Provided, however, that if the defect complained of is latent and not discoverable within the above warranty periods, every claim arising on account of such latent defect shall be deemed waived unless it is made in writing within a reasonable time after such latent defect is or should have been discovered by Buyer.

Limitations / Exclusions. The warranties herein shall not apply to, and GAI-Tronics shall not be responsible for, any damage to the goods or failure of the services supplied hereunder, to the extent caused by Buyer's neglect, failure to follow operational and maintenance procedures provided with the equipment, or the use of technicians not specifically authorized by GAI-Tronics to maintain or service the equipment. **THE WARRANTIES AND REMEDIES CONTAINED HEREIN ARE IN LIEU OF AND EXCLUDE ALL OTHER WARRANTIES AND REMEDIES, WHETHER EXPRESS OR IMPLIED BY OPERATION OF LAW OR OTHERWISE, INCLUDING ANY WARRANTIES OF MERCHANTABILITY OR FITNESS FOR A PARTICULAR PURPOSE.**

## Return Policy

---

If the equipment requires service, contact your Regional Service Center for a return authorization number (RA#). Equipment should be shipped prepaid to GAI-Tronics with a return authorization number and a purchase order number. If the equipment is under warranty, repairs or a replacement will be made in accordance with the warranty policy set forth above. Please include a written explanation of all defects to assist our technicians in their troubleshooting efforts.

Call 800-492-1212 (inside the USA) or 610-777-1374 (outside the USA) for help identifying the Regional Service Center closest to you.