



Auteldac 4

ATEX Approved Hazardous Area Telephone



- **Ex II 2 G ATEX certified telephone**
- **CE (R&TTE Directive 1999/5/EC and ATEX Product Directive 94/9/EC)**
- **IEC Ex certified, GOST Approved**
- **Fully compliant with TBR21 / TBR38**
- **Full keypad with 3 programmable memory buttons, or CB variant**
- **Headset Option**
- **90dB sounder (adjustable)**
- **Secondary beacon / external sounder actuator**
- **Robust and weather resistant (IP66 with curly cord, IP55 with steel cord)**
- **Industry standard robust handset c/w curly cord or armoured stainless steel**
- **Noise cancelling versions available**
- **Dual purpose design for wall or desk mounting, simple installation**

The Auteldac 4 (A4) telephone has secured ATEX approval to provide a tough, weather resistant unit built to withstand arduous industrial atmospheres and environmental extremes.

Certified for safe operation in hazardous areas, the Auteldac 4 body is made from carbon loaded glass filled polyester to eliminate rust and corrosion. The handset has a choice of armoured stainless steel or curly cords.

The elimination of moving parts maintains a high level of reliability to industrial and weather resistant telephones.

Features such as 'electronic on-hook sensing' and 'electronic tone ringer' enable an enclosure protection up to IP66. Should the handset be left off-hook, the A4 will automatically revert to on-hook state after a period of 6-8 minutes (this option can be disabled).

Auteldac 4 telephones come complete with an integral ringer with volume control and secondary beacon / external sounder actuator as standard. An inductive coupler is fitted to aid the hard of hearing.

For hands-free telephone use, the Auteldac 4 has the option of a headset.

Connectivity:

Standard Analogue

The standard analogue unit provides basic telephone functions and can be connected to any standard two-wire telephone line, including FXS ports, analogue PABX lines and PSTN.

Keypad Options:

18 button Full Keypad

Included in the 18 button version, are 3 direct dial buttons for fast one touch dialling of pre-stored numbers or accessing low cost call facilities. Includes: **M1- M3** Memory buttons, **S** 'Store', **R** 'Recall', **LR** 'Last number redial'

0 button CB

This can be used to initiate a PABX 'hotline' or lift handset and wait for reply, where the PABX does the call routing/dialling. Autodial on handset lift also available.



TECHNICAL SPECIFICATIONS (please refer to technical manual for full product details)

Enclosure:

Carbon loaded glass-filled polyester (colour: black)

Surface resistance: $<10^9$ ohms

Handset:

Conductively coated polycarbonate handset with coiled cord or stainless steel spiral cord. Noise cancelling options available. Extended cord lengths available.

Keypad:

Weathersealed tactile digital keypad

Hookswitch:

Electronic with no mechanical moving parts

Degree of protection: IP66 curly cord, IP55 steel cord

Ringing: Shrill warble tone >90 dBA @ 1 metre typical. Internal volume control.

Power Supply: Drawn from telephone line

Integral Ring Detector:

Contact closure following the ringing cadence, rated at 250Vac, 5A.

Isolated hookswitch sensor:

Additional contact rated at 250Vac, 150mA

Parallel Terminal Block:

Duplicated line terminals allows connection to a parallel device without an additional junction box.

Time Out:

Enforces a fixed call maximum time limit to 6-8 minutes from lifting of the handset. User selectable.

Dialling system:

LD or DTMF (switchable)

Recall Button:

Internally switchable from Earth Loop Recall (600ms pulse) and Timed Break Recall 98ms, 250ms or 604ms.

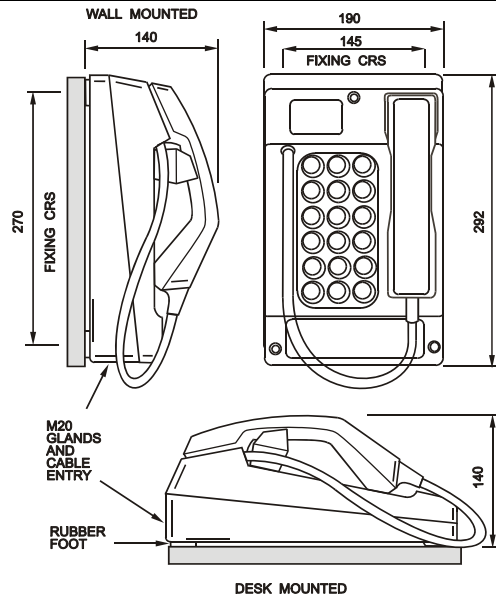
Certified Operating Temperature:

-20°C to $+50^{\circ}\text{C}$ (-40°C to $+50^{\circ}\text{C}$ for GOST)

Relative Humidity: Up to 95% (non-condensing)

Weight: approx. 3.1 kg

DIMENSIONS:



ORDER CODE

Auteldac 4 Curly Cord

18btn standard unit	212-02-2008-031
18btn + headset socket*	212-02-2008-231
CB standard unit	212-02-2000-031
CB + headset socket*	212-02-2000-231

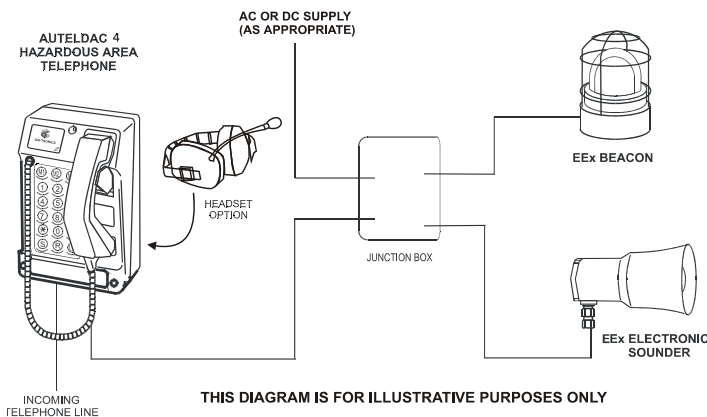
Auteldac 4 Stainless Steel Cord

18btn standard unit	212-02-2008-020
18btn + headset socket*	212-02-2008-220
CB standard unit	212-02-2000-020
CB + headset socket*	212-02-2000-220

Headset & Plug for Auteldac 4

*Headset and plug	100-02-0598-001
Extension Cord for Headset	610-35-2036-001

CONNECTION OPTIONS



APPROVALS

Telephone compliance

Ex II 2 G EEx e m ib IIC T5 ($-20^{\circ}\text{C} \leq T_a \leq 50^{\circ}\text{C}$) Baseefa03ATEX0617

IECEX BAS 05.0060 Ex e mb ib IIC T5 ($-20^{\circ}\text{C} \leq T_a \leq 50^{\circ}\text{C}$)

GOST Approval (Russia) **POCC GB.Г506.В00377** ($-40^{\circ}\text{C} \leq T_a \leq 50^{\circ}\text{C}$)

Headset compliance

Ex II 2 G EEx ib IIC T4 ($-20^{\circ}\text{C} \leq T_a \leq 40^{\circ}\text{C}$) TUV03ATEX2124

GOST Approval (Russia) **POCC GB.Г506.В00377** ($-40^{\circ}\text{C} \leq T_a \leq 40^{\circ}\text{C}$)

CE This mark indicates compliance with the following directives; R&TTE Directive 1999/5/EC, ATEX Product Directive 94/9/EC, Tested to TBR21 / TBR38

The GAI-Tronics Quality Management System has been approved by LRQA to ISO9001:2000 & ISO 14001:2004. Certificate No. 861888

